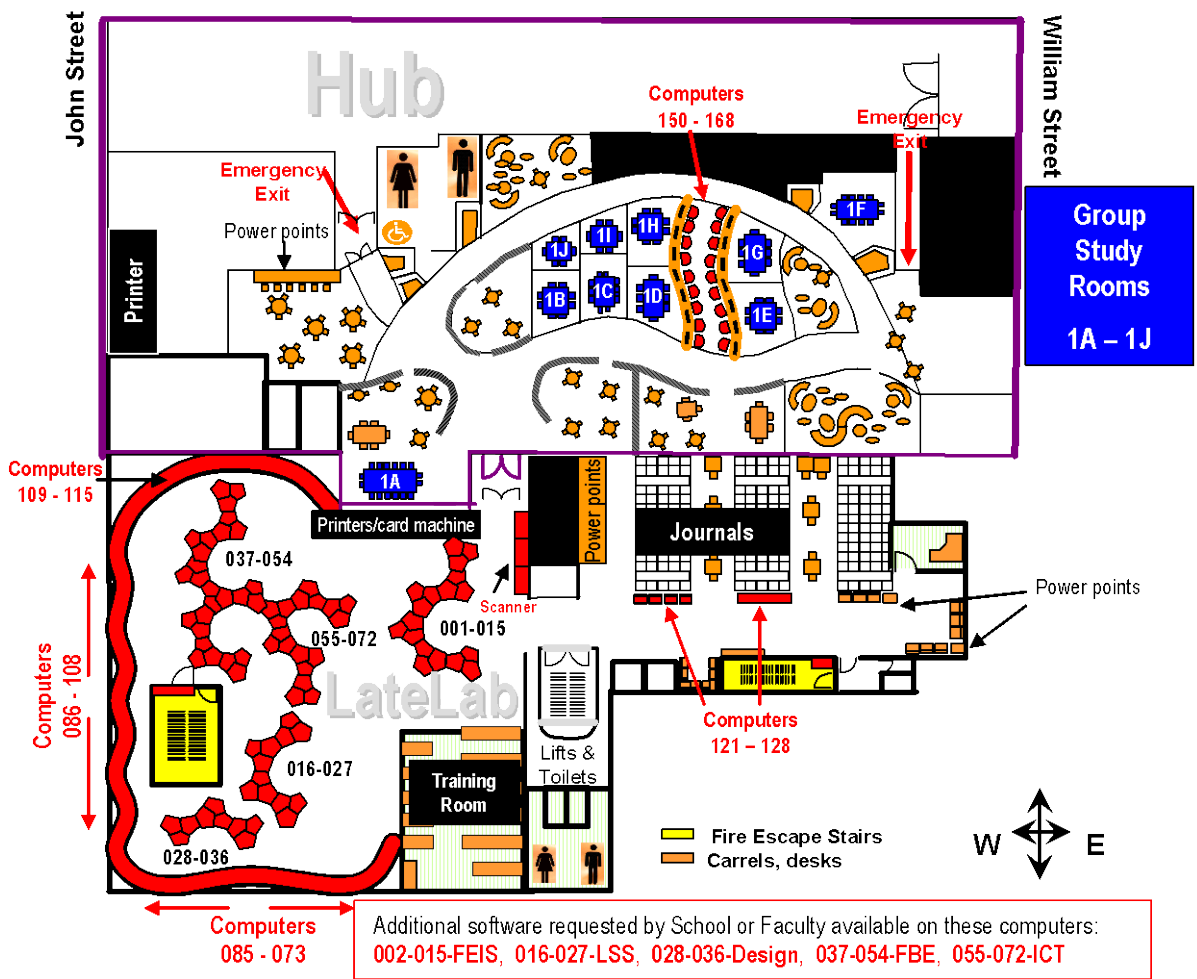


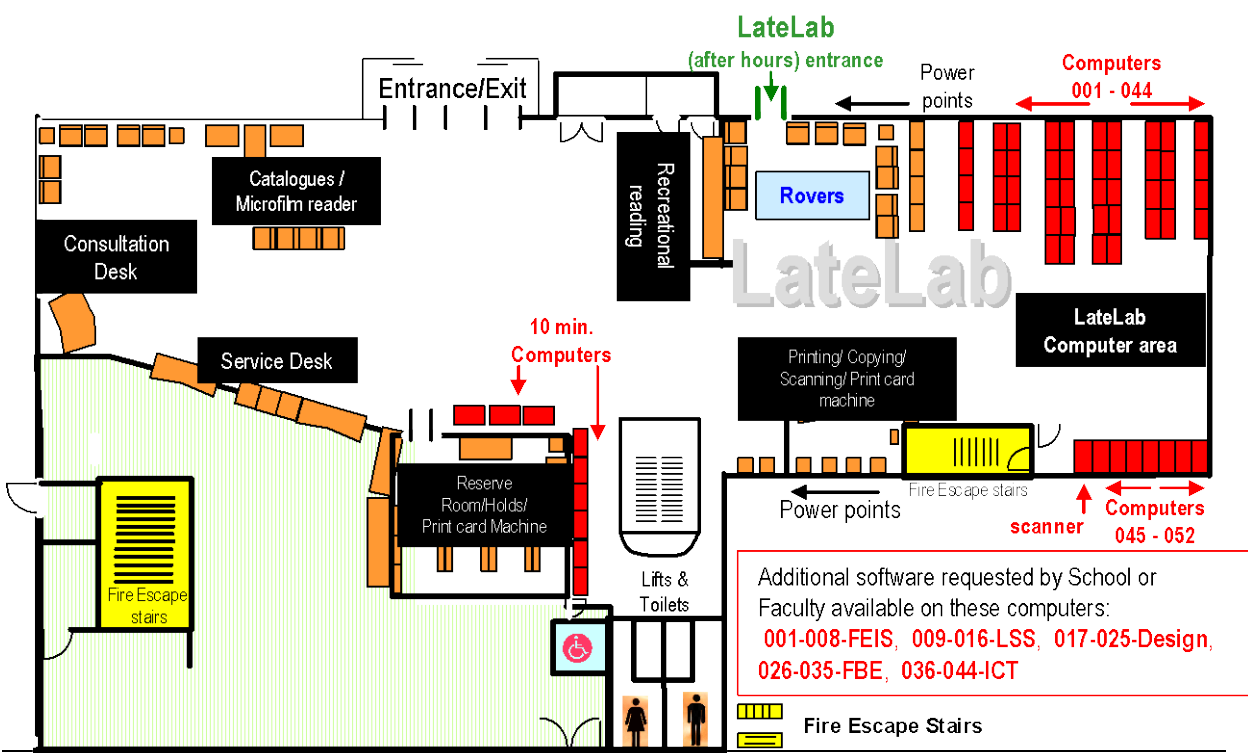
Hawthorn Campus Library Map

January-February 2012

Level 1



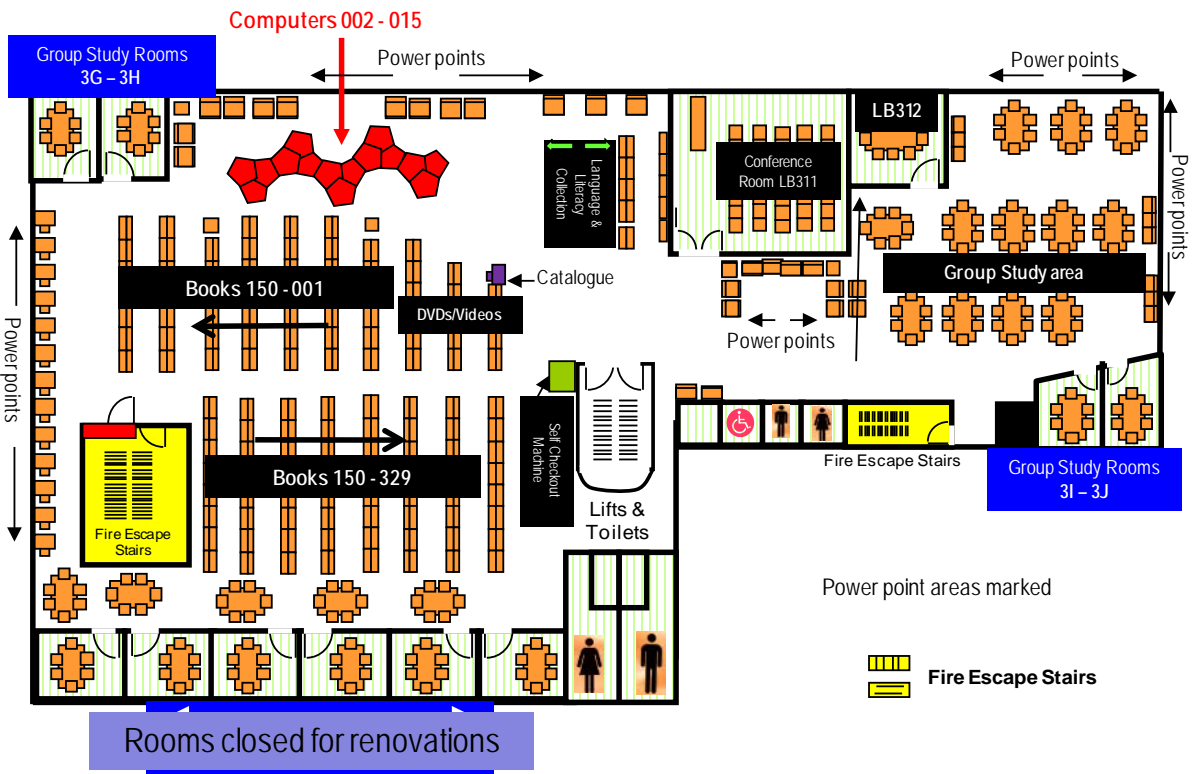
Level 2



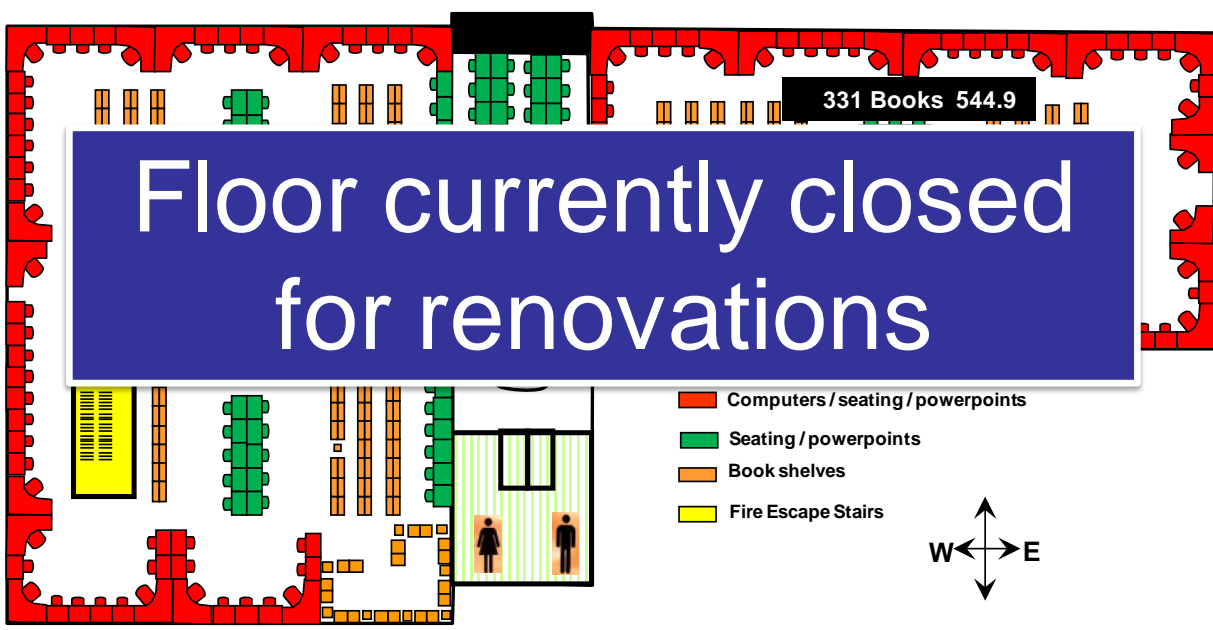
Hawthorn Campus Library Map

January-February 2012

Level 3



Level 4



Level 5

